



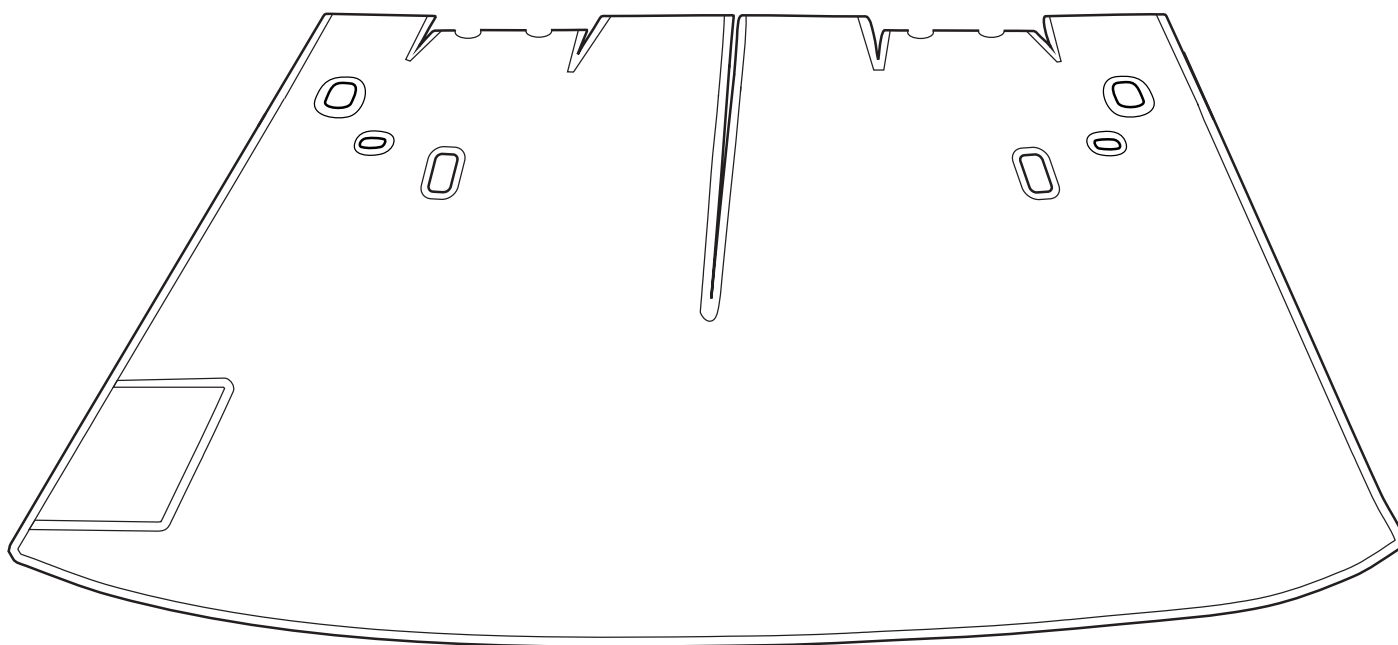
Genuine Accessories
Installation Instructions

Part Number
0000-8K-L51

Cargo Liner

Applicable Models:
2012 > Mazda 5

Package Contents



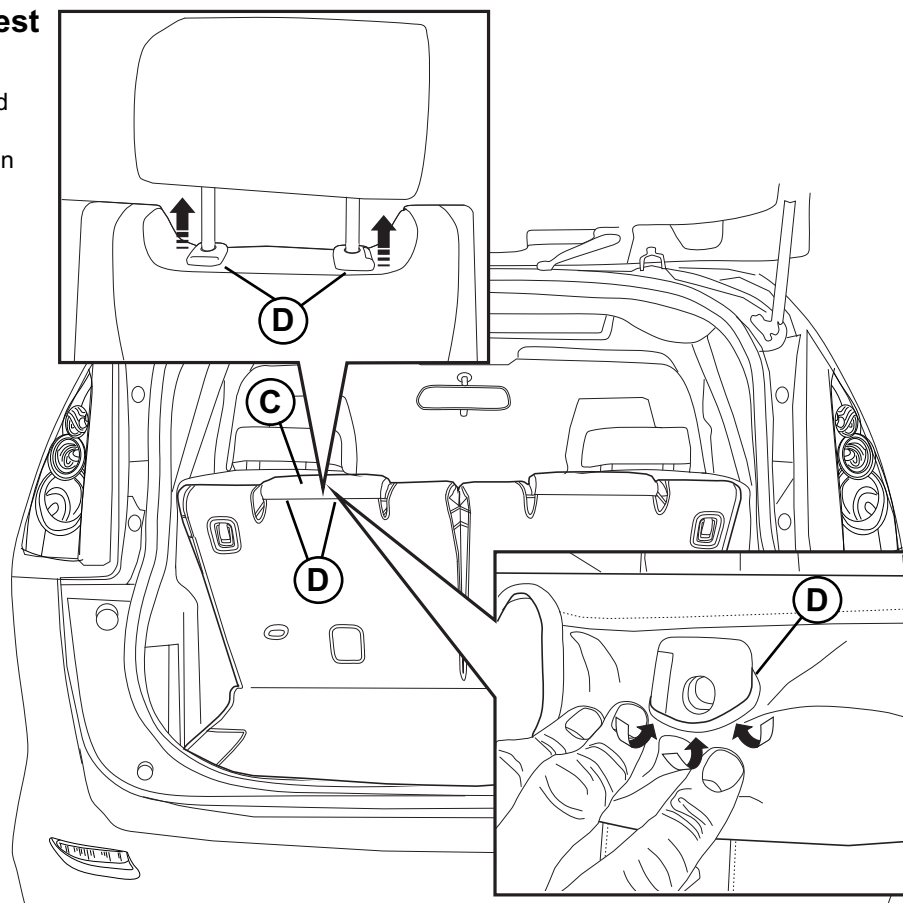
Cargo Liner (Qty. 1)

0 Before Installation

- A. Area to be covered by cargo liner must be clean and completely dry prior to installation.
- B. Dealers should provide all customers with a copy of these installation instructions for future reference.

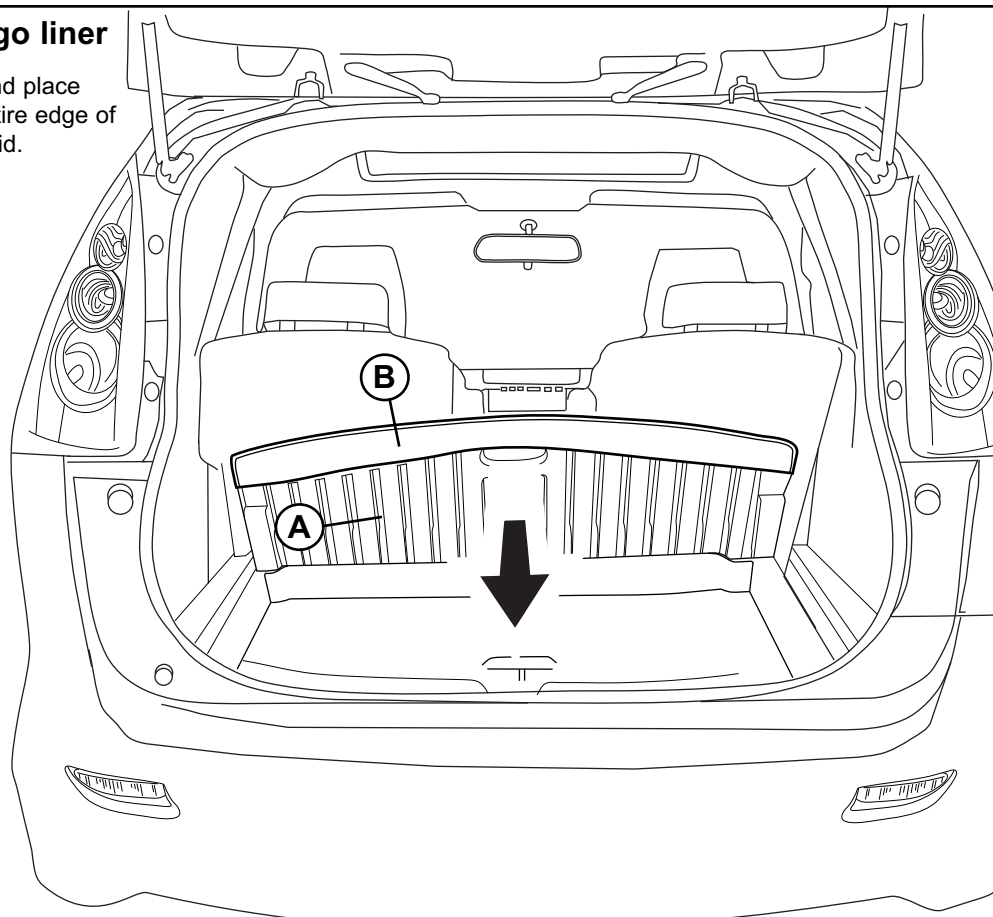
1 Install front flap over headrest

- A. Open rear door and starting from the driver's side remove headrest from third row seat. Install front edge of liner over the top of the seat (C). Align openings in liner where the headrest was removed. Tuck liner under headrest buttons (D). Replace the headrest. Repeat on passenger's side of vehicle. Fold down third row seats.



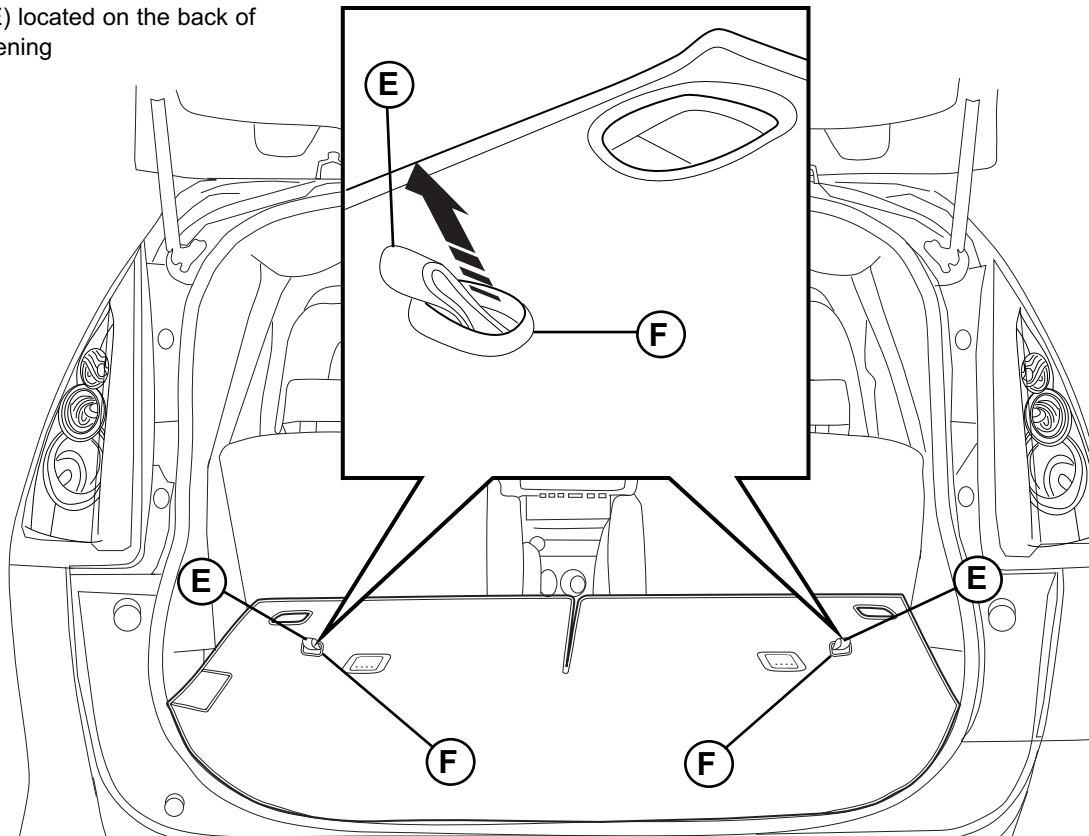
2 Install back edge of cargo liner

- A. Raise under floor storage lid (A) and place rear cargo liner pocket (B) over entire edge of lid. Once pocket is in place, close lid.



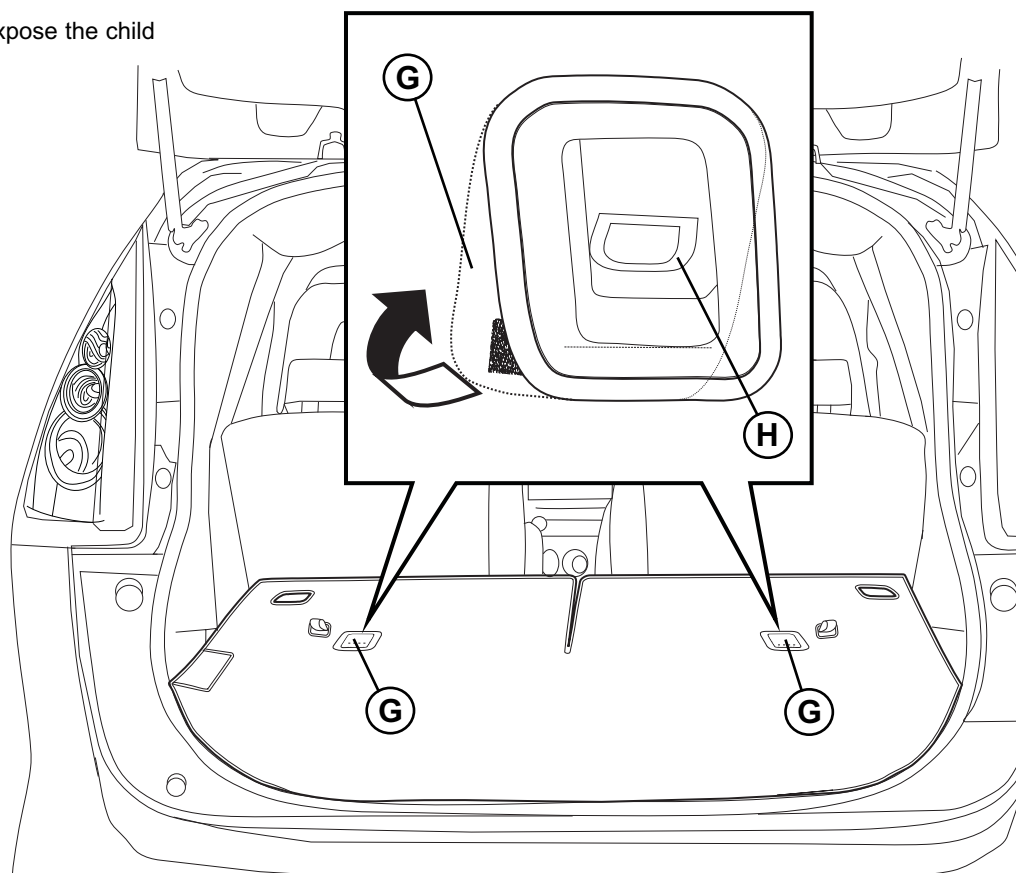
3 Pull seat release loops through openings

- A. Pull seat release loop (E) located on the back of the seats through the opening (F) in the cargo liner.



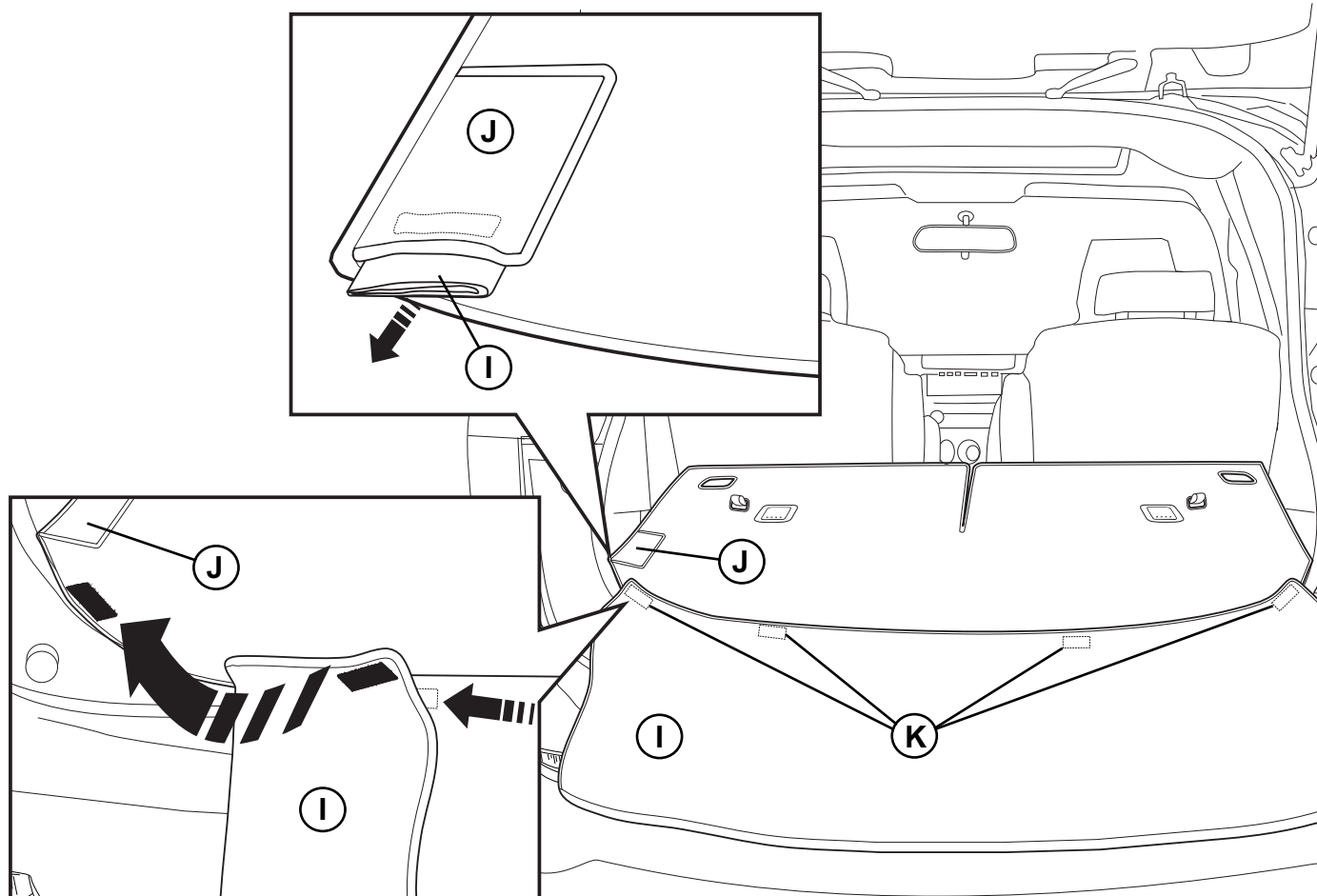
4 Child seatbelt release flaps

- A. Pull velcro flap (G) on liner to expose the child seatbelt release lever (H).



5 Install fender protector

- A. When needed remove folded fender protector (I) from pocket on bottom of driver's side of cargo liner (J). Unfold and attach fender protector to the bottom of cargo liner at velcro strips (K). Remove, fold, and return to pocket (J) when not in use.



6 Post Installation Inspection

- A. Adjust cargo liner attachments as needed for proper fit.

7 Care and Cleaning

- A. Hand clean cargo liner using mild soap, rinse thoroughly with clean water and line dry completely. Do not machine dry!
- B. **WARNING:** Manufacturer will not be responsible for damage to product due to accident or misuse.